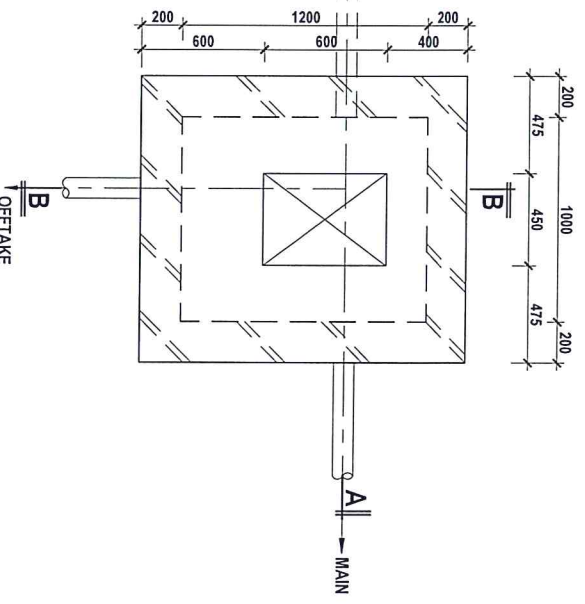
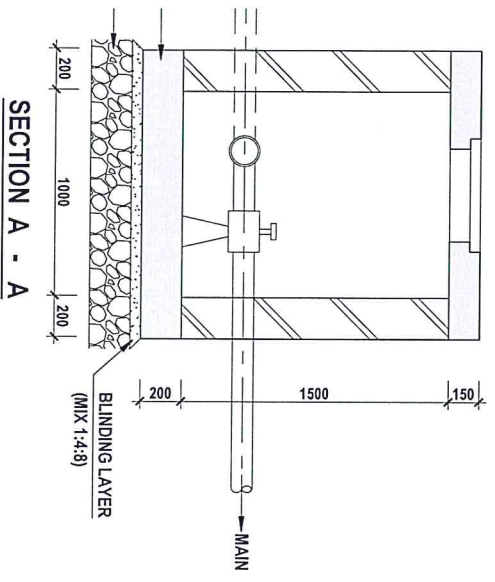


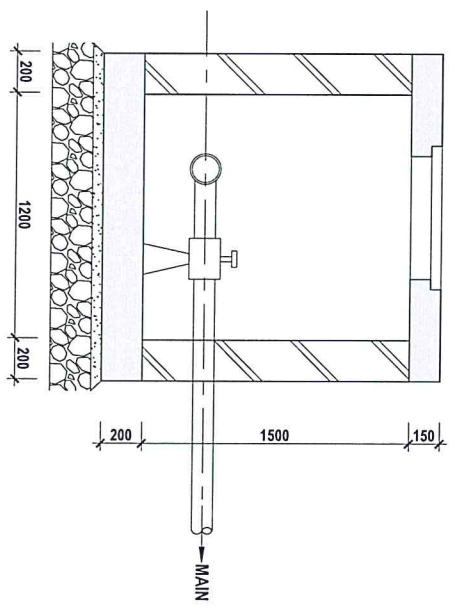
CHAMBER PLAN



VALVE CHAMBER COVER PLAN



SECTION A - A



SECTION B - B

General N

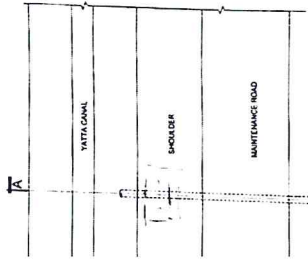
| No. | Revision/Is |
|-----|-------------|
| | |
| | |
| | |

NATIONAL IRRIG
P.O. BOX 30372 - 00100
NAIROBI

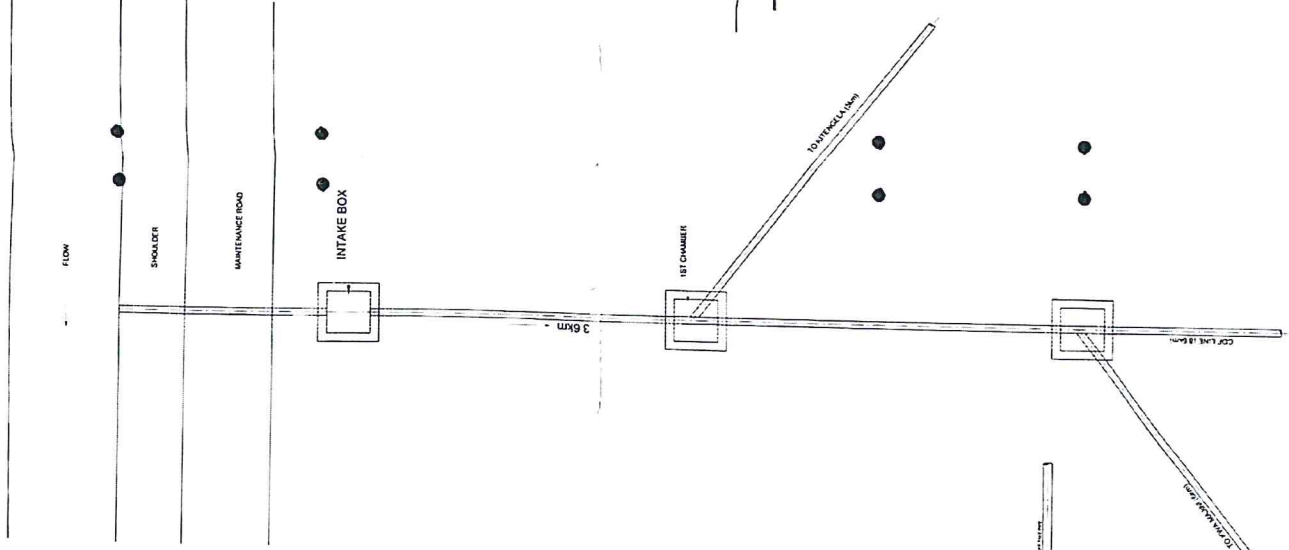
PROJECT
KONDO IRRIGAT

| | | |
|---------|-----------|---|
| DRAWN | SWA | S |
| CHECKED | | S |
| DATE | NOV. 2018 | D |

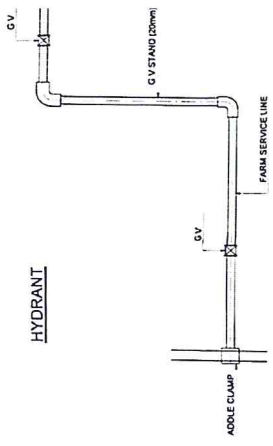
KE BOX



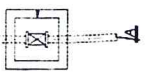
LAYOUT PLAN



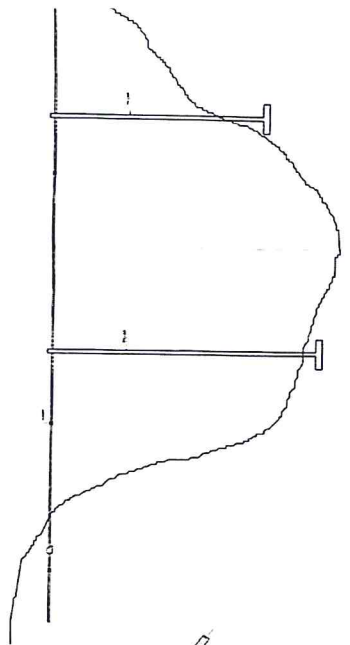
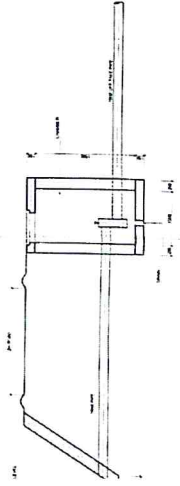
HYDRANT



CHAMBER



SECTION A-A



| |
|----------|
| NATIC |
| KOND |
| PROJ |
| DISGRED |
| DRAWN |
| CREATED |
| DESIGNED |
| APPROVED |